

<p>Content</p> <p>1X 2X 2X 2X 2X 2X 1X</p> <p>Model B 1500mm 12 1200mm 10</p>	<p>Dimensions</p>	<p>Inrush current</p> <table border="1"> <thead> <tr> <th></th> <th>8719157045698</th> <th>8719157046473</th> </tr> </thead> <tbody> <tr> <td>Driver</td> <td>60W 200/250/300/350mA 170V 240V</td> <td>40W 200/250/300/350mA 80V 240V</td> </tr> <tr> <td>Inrush current I_{peak}</td> <td>20.6</td> <td>3.8</td> </tr> <tr> <td>Inrush current T_{width}</td> <td>274</td> <td>134</td> </tr> </tbody> </table>		8719157045698	8719157046473	Driver	60W 200/250/300/350mA 170V 240V	40W 200/250/300/350mA 80V 240V	Inrush current I _{peak}	20.6	3.8	Inrush current T _{width}	274	134
	8719157045698	8719157046473												
Driver	60W 200/250/300/350mA 170V 240V	40W 200/250/300/350mA 80V 240V												
Inrush current I _{peak}	20.6	3.8												
Inrush current T _{width}	274	134												

1

LF mm
>A mm

1
2
3

OFF

EAN	W	lm	K	R _a	T _a (°C)	Vac	Hz	kg	L (mm)	LF (mm)	A (mm)	Max number of interconnect with same model
8719157045698	35	4550	3000	80	0-40°C	220-240	50/60	2.14	1560	960	350	12pcs
	35	4900	4000	80	0-40°C	220-240	50/60	2.14	1560	960	350	12pcs
	35	4900	6500	80	0-40°C	220-240	50/60	2.14	1560	960	350	12pcs
	43	5590	3000	80	0-40°C	220-240	50/60	2.14	1560	960	350	12pcs
	43	6020	4000	80	0-40°C	220-240	50/60	2.14	1560	960	350	12pcs
	43	6020	6500	80	0-40°C	220-240	50/60	2.14	1560	960	350	12pcs
	55	7150	3000	80	0-40°C	220-240	50/60	2.14	1560	960	350	12pcs
	55	7700	4000	80	0-40°C	220-240	50/60	2.14	1560	960	350	12pcs
	55	7700	6500	80	0-40°C	220-240	50/60	2.14	1560	960	350	12pcs
	65	8450	3000	80	0-40°C	220-240	50/60	2.14	1560	960	350	12pcs
	65	9100	4000	80	0-40°C	220-240	50/60	2.14	1560	960	350	12pcs
	65	9100	6500	80	0-40°C	220-240	50/60	2.14	1260	960	350	12pcs
8719157046473	19	2340	3000	80	0-40°C	220-240	50/60	1.77	1260	860	250	22pcs
	19	2520	4000	80	0-40°C	220-240	50/60	1.77	1260	860	250	22pcs
	19	2520	6500	80	0-40°C	220-240	50/60	1.77	1260	860	250	22pcs
	23	2730	3000	80	0-40°C	220-240	50/60	1.77	1260	860	250	22pcs
	23	2940	4000	80	0-40°C	220-240	50/60	1.77	1260	860	250	22pcs
	23	2940	6500	80	0-40°C	220-240	50/60	1.77	1260	860	250	22pcs
	27	3380	3000	80	0-40°C	220-240	50/60	1.77	1260	860	250	22pcs
	27	3640	4000	80	0-40°C	220-240	50/60	1.77	1260	860	250	22pcs
	27	3640	6500	80	0-40°C	220-240	50/60	1.77	1260	860	250	22pcs
	32	3900	3000	80	0-40°C	220-240	50/60	1.77	1260	860	250	22pcs
	32	4200	4000	80	0-40°C	220-240	50/60	1.77	1260	860	250	22pcs
	32	4200	6500	80	0-40°C	220-240	50/60	1.77	1260	860	250	22pcs

(a) Please cut off the power before adjusting the power or CCT DIP switch. Factory settings: max wattage.
 (b) The battery must be replaced in a power off state.

2-a Surface mounted

4

2-b Suspended

4

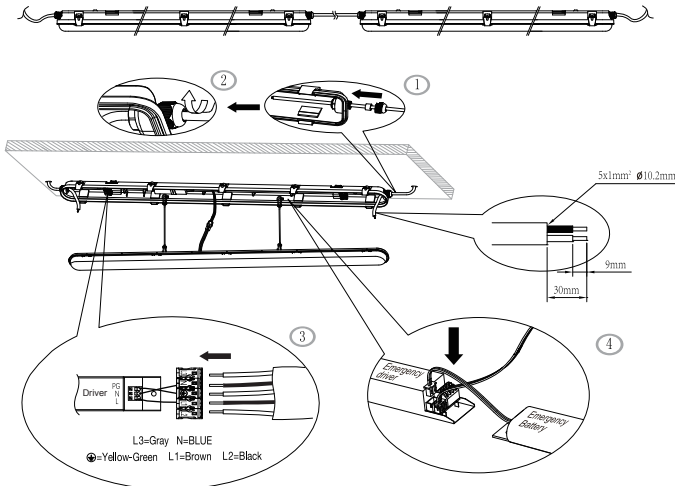
This is not included and needs to be prepared separately.

3-a

3-b

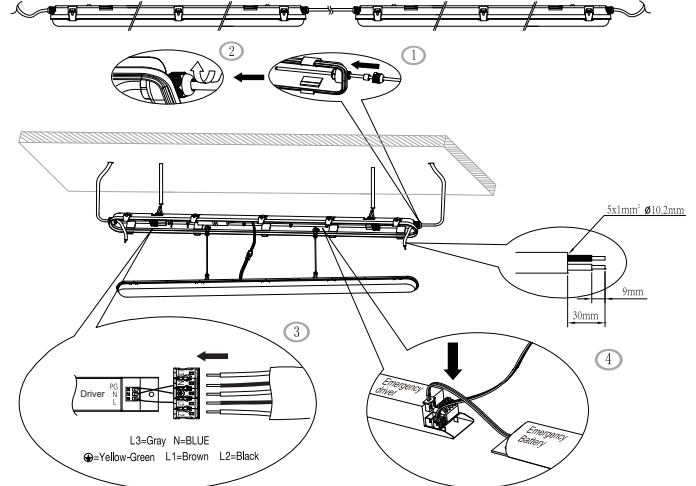
4

5-a



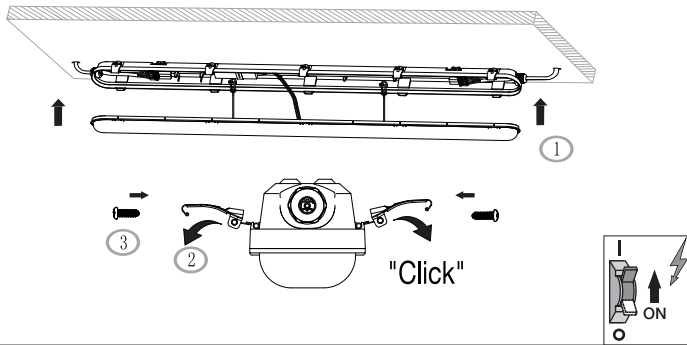
Supply cord shall be at least equal in their mechanical and electrical properties to those specified in 60245 IEC 89 .

5-b

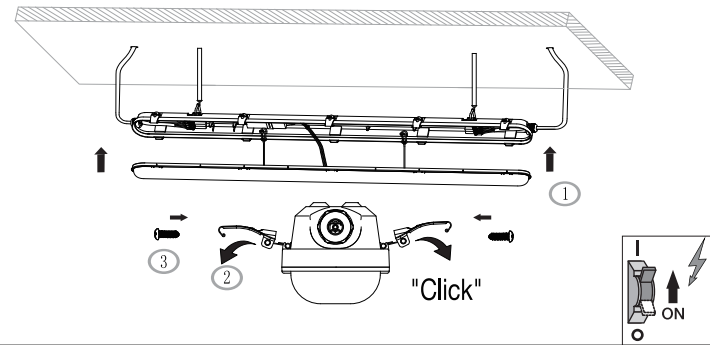


Supply cord shall be at least equal in their mechanical and electrical properties to those specified in 60245 IEC 89 .

6-a



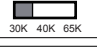
6-b

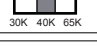


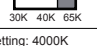
Description	mA	W	lm			mA	W	lm			mA	W	lm			mA	W	lm		
			3000K	4000K	6500K			3000K	4000K	6500K			3000K	4000K	6500K			3000K	4000K	6500K
8719157045698	200	35	4550	4900	4900	250	43	5590	6020	6020	300	55	7150	7700	7700	350	65	8450	9100	9100
8719157046473	200	19	2340	2520	2520	250	23	2730	2940	2940	300	27	3380	3640	3640	350	32	3900	4200	4200

Color SWITCH

Please cut off the power before adjusting the Color SWITCH


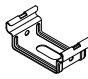
3000K 

4000K 

6500K 

Factory setting: 4000K

	Item Specification	8719157045698	8719157046473
Circuit Breaker	B16	24 PCS	32 PCS
	C16	48 PCS	63 PCS

Accessories (Please Order Separately)		Item No.:248876 EAN:8719157048477
	Item No.:240965 EAN:8719157024761 Noxion LED Poseidon Pronox Waterproof IP65 V2.0 Stainless clips(12pcs)	Noxion LED Waterproof Poseidon surface mounted bracket (2 pieces)
		Item No.:249065 EAN:8719157049306 (For Noxion) Haisen Motion & Daylight Sensor HD011S

"Led source replaceable"

EN The luminaire shall be installed and maintained by a qualified electrician, in accordance with the national regulations in each country. The luminaire contains no replaceable parts. In case of the luminaire is damaged, it shall be exclusively replaced by the manufacturer or authorized dealer. Keep the operating manual for later use. The manufacturer is not responsible for the incorrect use and assembly of this product.

NL De armatuur dient te worden geïnstalleerd en onderhouden door een erkend installateur, in overeenstemming met de nationale regelgeving in het betreffende land. De armatuur bevat geen vervangbare onderdelen. Indien de armatuur is beschadigd dient deze enkel te worden vervangen door de fabrikant of door een erkende dealer. Bewaar de handleiding voor later gebruik. De fabrikant is niet verantwoordelijk voor onjuist gebruik en/of installatie van dit product.

DE Die Leuchte muss von einem qualifizierten Elektriker gemäß den nationalen Vorschriften in jedem Land installiert und gewartet werden. Die Leuchte enthält keine austauschbaren Teile. Falls die Leuchte beschädigt ist, wird sie ausschließlich durch den Hersteller oder den autorisierten Händler ersetzt. Bewahren Sie die Bedienungsanleitung für spätere Verwendung auf. Der Hersteller ist nicht verantwortlich für die unsachgemäße Verwendung und Montage dieses Produktes.

FR Le luminaire doit être installé et entretenu par un électricien qualifié, conformément à la réglementation nationale de chaque pays. Le luminaire ne contient pas de pièces remplaçables. Dans le cas où le luminaire est endommagé, il doit être remplacé exclusivement par le fabricant ou le revendeur agréé. Conservez le mode d'emploi pour une utilisation ultérieure. Le fabricant n'est pas responsable de l'utilisation incorrecte de ce produit.

IT L'apparecchio deve essere installato e mantenuto da un elettricista qualificato seguendo le normative nazionali di riferimento. L'apparecchio non contiene parti sostituibili. In caso di rottura sarà sostituito esclusivamente dal produttore o da un rivenditore autorizzato. Conservate il manuale di installazione per eventuali utilizzi successivi. Il produttore non è responsabile per l'utilizzo ed il montaggio non corretto di tale apparecchio.

ES La luminaria debe de ser instalada y mantenida por un electricista cualificado, siguiendo las regulaciones nacionales de cada país. La luminaria contiene partes no reemplazables. En el caso de que la luminaria sea dañada, deberá ser reemplazada exclusivamente por el fabricante o distribuidor autorizado. Guarde el manual para usos posteriores. El fabricante no es responsable por el uso e instalación incorrecta de este producto.